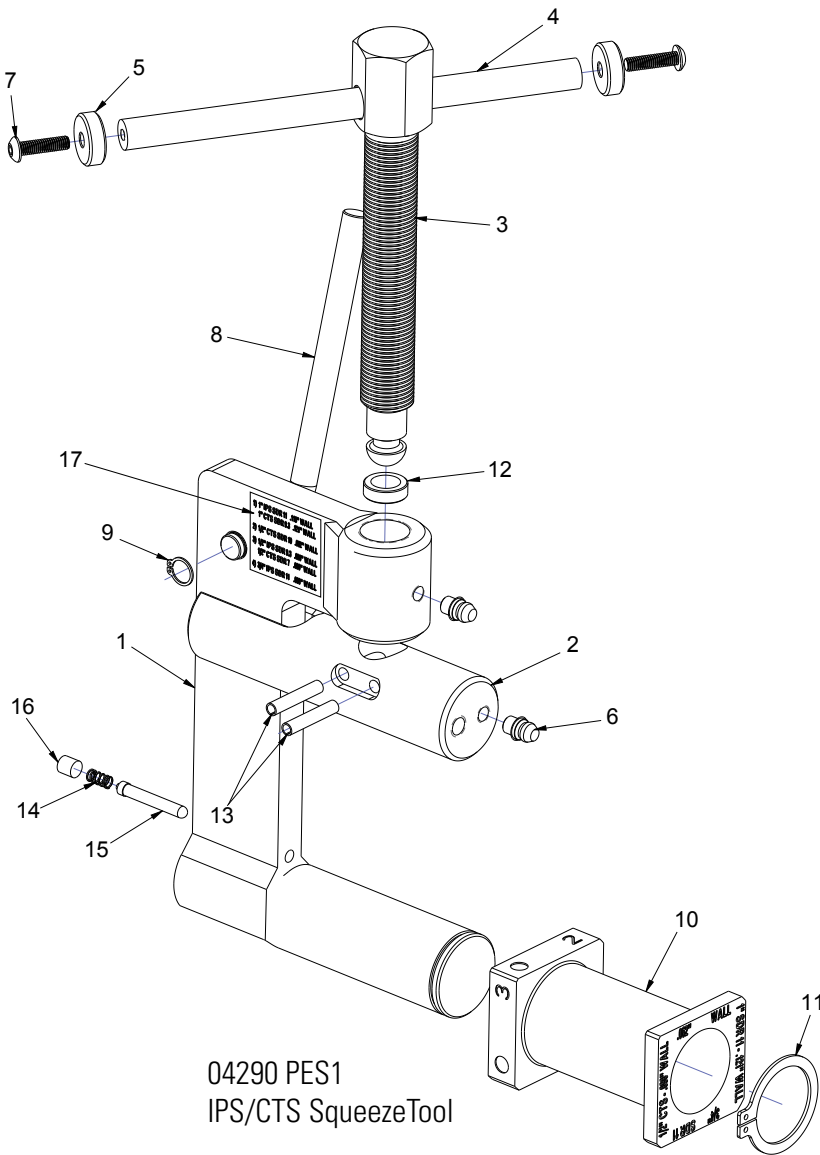




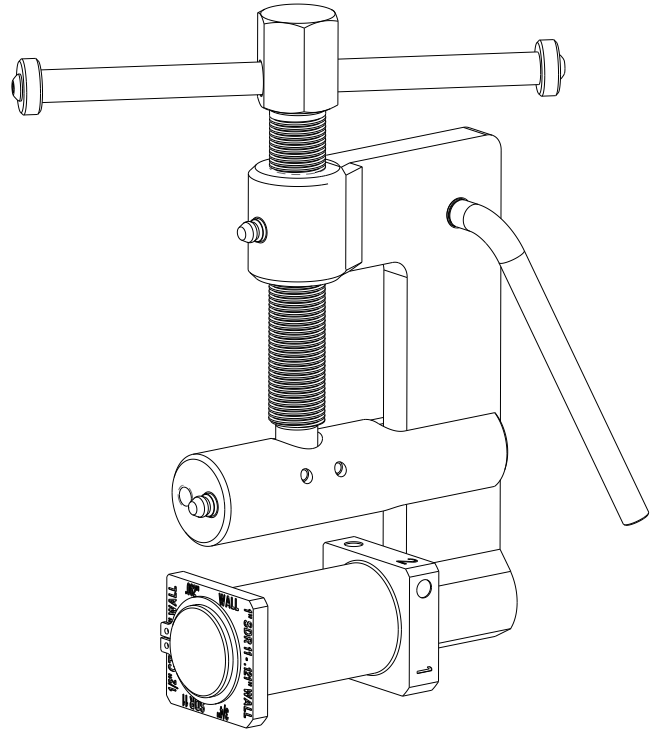
PIPE TOOLS & VISES
SINCE 1896

PES1 IPS/CTS PE Squeeze-Off Tool

Replacement Parts



04290 PES1
IPS/CTS Squeeze Tool



Parts List

Ref. No.	Description	Item Code	Qty.
1	Body Assembly	94290	1
2	Top Crimp Bar	94292	1
3	Feed Screw	94291	1
4	Screw Handle	94293	1
5	Screw Handle Knob	94297	2
6	Grease Fitting	40338	2
7	Screw #10-32 x 3/4"	34290	2
8	Leverage Handle	94294	1
9	Leverage Handle Snap Ring	34292	2
10	IPS/CTS Stop	94279*	1
11	Retaining Ring 1-1/4"	34293	1
12	Thrust Washer	94307	1
13	Roll Pin	93435	2
14	Spring Nut	93440	1
15	Detent Shaft	94299	1
16	Set Screw 1/4-20 x 1/4"	36462	1
17	Stop Selection Sticker	54293	1

***NOTE:** 3-sided IPS Stops available as #94295. These same stop designations are also part of the newer #94279 stop. If, however, the IPS-only stop is preferred, order #94295.

94295 IPS Stop	1/2" IPS SDR 9.3	
	3/4" IPS SDR 11	
	1" IPS SDR 11	
94279 IPS/CTS Stop	1" IPS SDR 11	.119" WALL
	1" CTS SDR 9.3	.121" WALL
	1/2" CTS SDR 10	.062" WALL
	1/2" IPS SDR 9.3	.090" WALL
	1/2" CTS SDR 7	.090" WALL
	3/4" IPS SDR 11	.095" WALL

Reed Manufacturing Company
1425 West 8th Street
Erie, PA 16502 USA

QUALITY
& Service
that Last a Lifetime

Phone: 800-666-3691 or 814-452-3691
Fax: 800-456-1697 or 814-455-1697
www.reedmfgco.com

RP-0515-79