



Meter Pit Pump Instructions



MP200HB

| | |
|---------|--------|
| MP125 | #02330 |
| MP125HB | #02331 |
| MP200 | #02332 |
| MP200HB | #02333 |

The Reed Meter Pit Pumps (MP125 & MP200) and Meter Pit Pumps with Hose Barb (MP125HB & MP200HB) pull water out of flooded pits to make work more visible, convenient and safe.

The MP125 and MP200 pumps include a barb fitting at the outlet to attach the MPH125 or MPH200 6' hose.

The MP125HB and MP200HB have an additional barb fitting at the inlet for more pumping options. Additional hose can be added to the bottom barb fitting for easier, deeper pumping.

Always wear safety glasses.

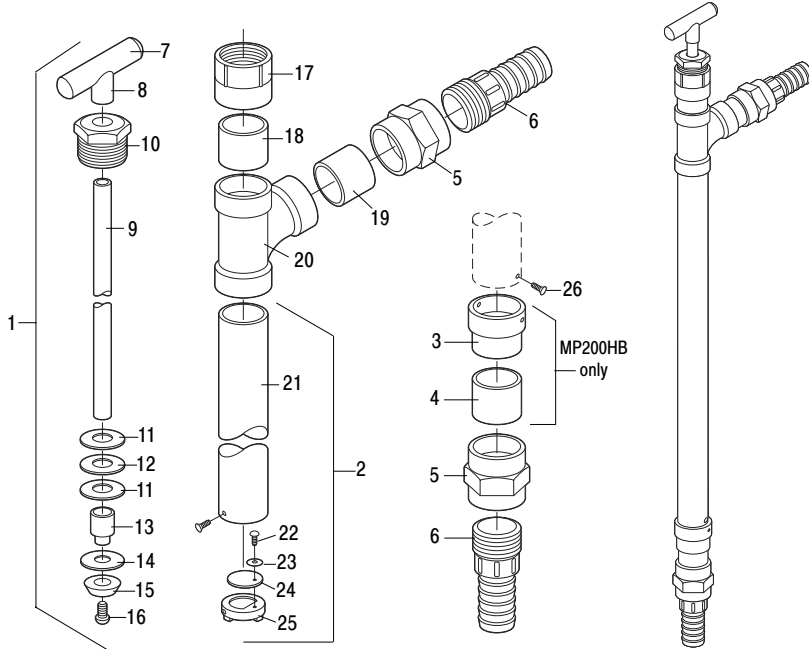
- Attach hose to pump outlet. Tighten hose clamp. The hose can also be attached to the inlet on the MP125HB and MP200HB pumps.
- Hold pump in one hand. Pull/push pump handle to begin pumping action.
- Continue to pump at a steady pace until pit is clear of water. Continue pumping to clear pump of all water.
- It is very important to lubricate the pump shaft with a heavy lithium based grease to extend the life of the seals and to minimize water leakage. Pumps are greased prior to shipment.





Meter Pit Pumps

Replacement Parts



| Ref. No. | Description | MP125 Item Code | MP125HB Item Code | MP200 Item Code | MP200HB Item Code | Qty |
|----------|--------------------------|-----------------|-------------------|-----------------|-------------------|-----|
| 1 | Shaft Sub-Assembly | 02317 | 02317 | 02321 | 02321 | 1 |
| 2 | Tube Sub-Assembly | 02316 | 02316 | 02320 | 02320 | 1 |
| 3 | Reducer | — | — | — | 93339 | 1 |
| 4 | PVC Nipple | — | — | — | 93228 | 1 |
| 5 | Female Adapter | 23309 | 23309* | 23322 | 23322* | 1 |
| 6 | Male Adapter (Barb) | 23317 | 23317* | 23340 | 23340* | 1 |
| 7 | Handle | 93205 | 93205 | 93229 | 93229 | 1 |
| 8 | Finger Protector | 93207 | 93207 | 93230 | 93230 | 1 |
| 9 | Pump Shaft | 93206 | 93206 | 93231 | 93231 | 1 |
| 10 | Threaded Plug | 93214 | 93214 | 93235 | 93235 | 1 |
| 11 | PE Washer | 23313 | 23313 | 23332 | 23332 | 2 |
| 12 | Rubber Washer -Top | 23314 | 23314 | 23333 | 23333 | 1 |
| 13 | Sleeve | 93209 | 93209 | 93236 | 93236 | 1 |
| 14 | Rubber Washer - Bottom | 23315 | 23315 | 23341 | 23341 | 1 |
| 15 | PVC Cone | 93208 | 93208 | 93237 | 93237 | 1 |
| 16 | Round Head Machine Screw | 23319 | 23319 | 23319 | 23319 | 1 |
| 17 | Female Adaptor | 23309 | 23309 | 23321 | 23321 | 1 |
| 18 | PVC Nipple | 93212 | 93212 | 93225 | 93225 | 1 |
| 19 | PVC Nipple | 93212 | 93212 | 93228 | 93228 | 1 |
| 20 | Reducing Sanitary Tee | 23310 | 23310 | 23323 | 23323 | 1 |
| 21 | 2" PVC Pipe | 93211 | 93211 | 93224 | 93224 | 1 |
| 22 | Sheet Metal Screw | 23325 | 23325 | 23325 | 23325 | 1 |
| 23 | Flat Washer | 23326 | 23326 | 23326 | 23326 | 1 |
| 24 | Rubber Flap | 23312 | 23312 | 23327 | 23327 | 1 |
| 25 | Bottom Casing - Aluminum | 93213 | 93213 | 93227 | 93227 | 1 |
| 26 | Sheet Metal Screw | 23320 | 23308 | 23320 | 23308 | 2 |

*Required for both hose barb positions.

Reed Manufacturing Co.
 1425 West 8th St.
 Erie, PA USA 16502
 Phone 814-452-3691 or 800-666-3691
 Fax: 814-455-1697 or 800-456-1697

