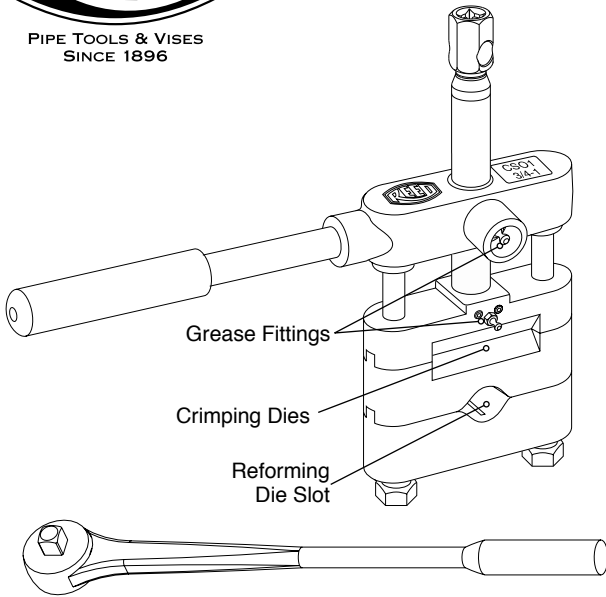




PIPE TOOLS & VISES
SINCE 1896



CSO1R 3/4" - 1" (19-25 mm)
CSO2R 1 1/4" - 2" (32-51 mm)

Copper Shut-Off Tool Operating Instructions

CSO1R & CSO2R

Shutting off flow: Assemble tool handle where desired. Unscrew the main feed screw. Lift and swing out dies to allow tube to seat between crimping dies. Swing dies back over the tie rods. Turn the feed screw, using the provided ratchet wrench, to compress the tube using only enough pressure to shut off flow.

Restoring flow: Remove tool, swing 90 degrees, and reattach so the reforming die slots are seated over the edges of the crimped tube. Turn the feed screw to compress the reforming dies and restore flow. Expect 70 - 75% return of flow.

Notes:

- Use the grease fittings for lubricating the feed screw and the thrust washer.
- Consider installing a repair clamp over the rerounded section to help guard against leaks. The shut-off and reround procedure could possibly damage the integrity of the copper tubing.

Reed Manufacturing Company
1425 West 8th Street
Erie, PA 16502 USA

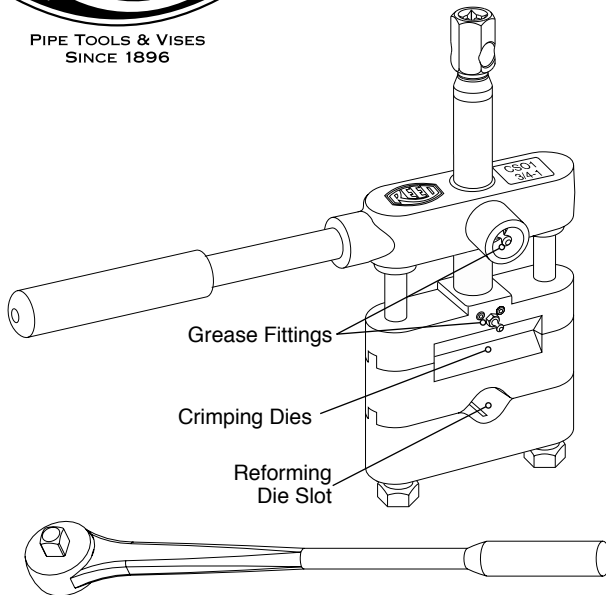


Phone: 800-666-3691 or 814-452-3691
Fax: 800-456-1697 or 814-455-1697
www.reedmfgco.com

0918 - 58203



PIPE TOOLS & VISES
SINCE 1896



CSO1R 3/4" - 1" (19-25 mm)
CSO2R 1 1/4" - 2" (32-51 mm)

Copper Shut-Off Tool Operating Instructions

CSO1R & CSO2R

Shutting off flow: Assemble tool handle where desired. Unscrew the main feed screw. Lift and swing out dies to allow tube to seat between crimping dies. Swing dies back over the tie rods. Turn the feed screw, using the provided ratchet wrench, to compress the tube using only enough pressure to shut off flow.

Restoring flow: Remove tool, swing 90 degrees, and reattach so the reforming die slots are seated over the edges of the crimped tube. Turn the feed screw to compress the reforming dies and restore flow. Expect 70 - 75% return of flow.

Notes:

- Use the grease fittings for lubricating the feed screw and the thrust washer.
- Consider installing a repair clamp over the rerounded section to help guard against leaks. The shut-off and reround procedure could possibly damage the integrity of the copper tubing.

Reed Manufacturing Company
1425 West 8th Street
Erie, PA 16502 USA



Phone: 800-666-3691 or 814-452-3691
Fax: 800-456-1697 or 814-455-1697
www.reedmfgco.com

0918 - 58203