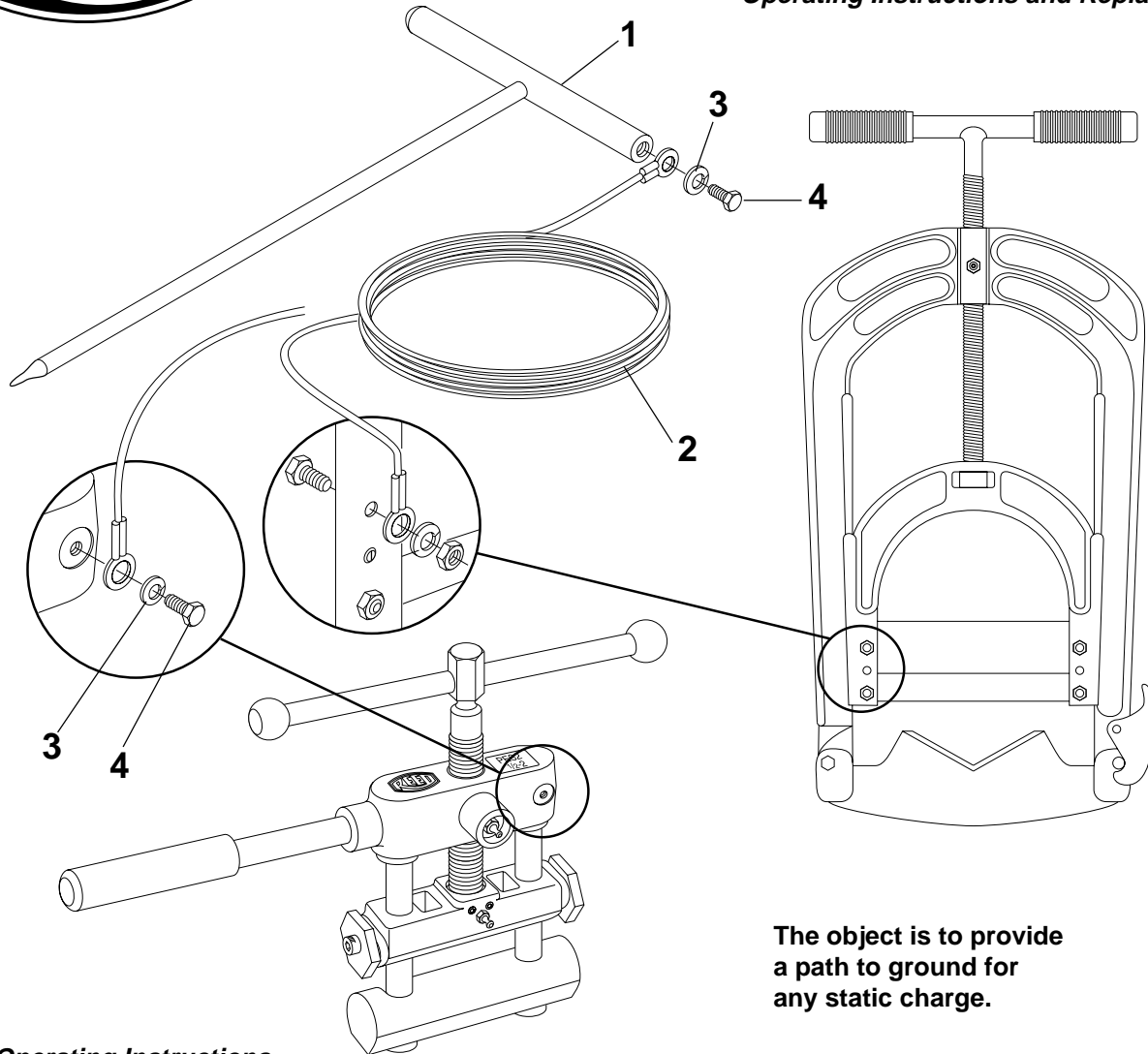




Static Electricity Grounding Accessory

Operating Instructions and Replacement Parts



The object is to provide a path to ground for any static charge.

Operating Instructions

Because static electricity can build up on plastic pipe, there is a possibility of a spark discharge of sufficient energy to cause ignition if the proper air/gas mixture is present. Precautions can be taken to dissipate the charge, and minimize the possibility of an ignition. This will maximize the personal safety of the crew. These precautions should be followed as a minimum, conditions may require additional measures.

- Before personnel are permitted in the bellhole, a fine water spray is applied over the entire area, including all exposed pipe and dirt.
- Apply a wet rag/tape to pipe surface to provide dissipation of static charge to ground. Keep this rag/tape wet until procedures are complete.
- Ground all tools.
- Periodically verify that continuity is maintained from ground probe to tool.

Additional information on static electricity is available in the A.G.A. Plastic Pipe Manual For Gas Service. Copyright 1989.

Parts List

Ref. No.	Description	Item Code	Qty. Used
1	Probe Assembly	98087	1
2	Cable	98086	1
3	Lock Washer	30175	2
4	Bolt	30134	2

Reed Manufacturing Co.
1425 West 8th St.
Erie, PA 16502 U.S.A.



Phone: 800-666-3691 or 814-452-3691
Fax: 800-456-1697 or 814-455-1697