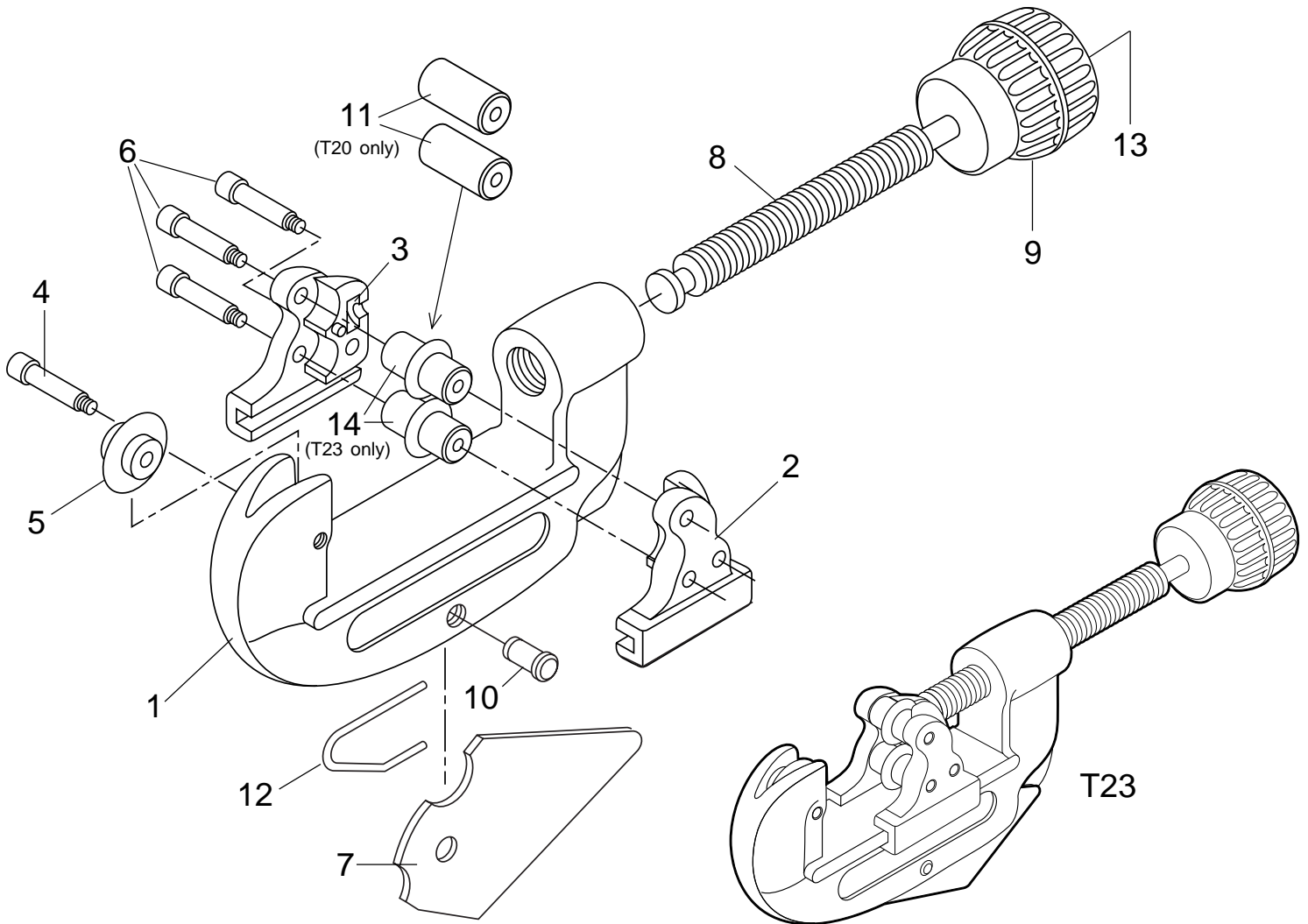




# Tubing Cutter (T20 and T23)

Replacement Parts



## Parts List

Ref. No.	Description	T20	T23	Quantity
		Item Code	Item Code	
1	Body	93036	93036	1
2	Left Block	93037	93497	1
3	Right Block	93038	93498	1
4	Wheel Pin Screw	93429	93429	1
5	Cutter Wheel	03660	03655	1
6	Block Screw	40079	40079	3
7	Reamer	93034	93034	1
8	Feed Screw	40117	40117	1
9	Knob	93039	93039	1
10	Reamer Rivit	40080	40080	1
11	Roller	40078	—	1
12	Reamer Spring	40189	40189	1
13	Scraper (not shown)	40076	40076	1
14	3T23 Wheel for Copper	—	03657	2

Reed Manufacturing Co.  
1425 West 8th St.  
Erie, PA 16502 USA



Phone: 800-666-3691 or 814-452-3691  
Fax: 800-456-1697 or 814-455-1697

RP-501-50