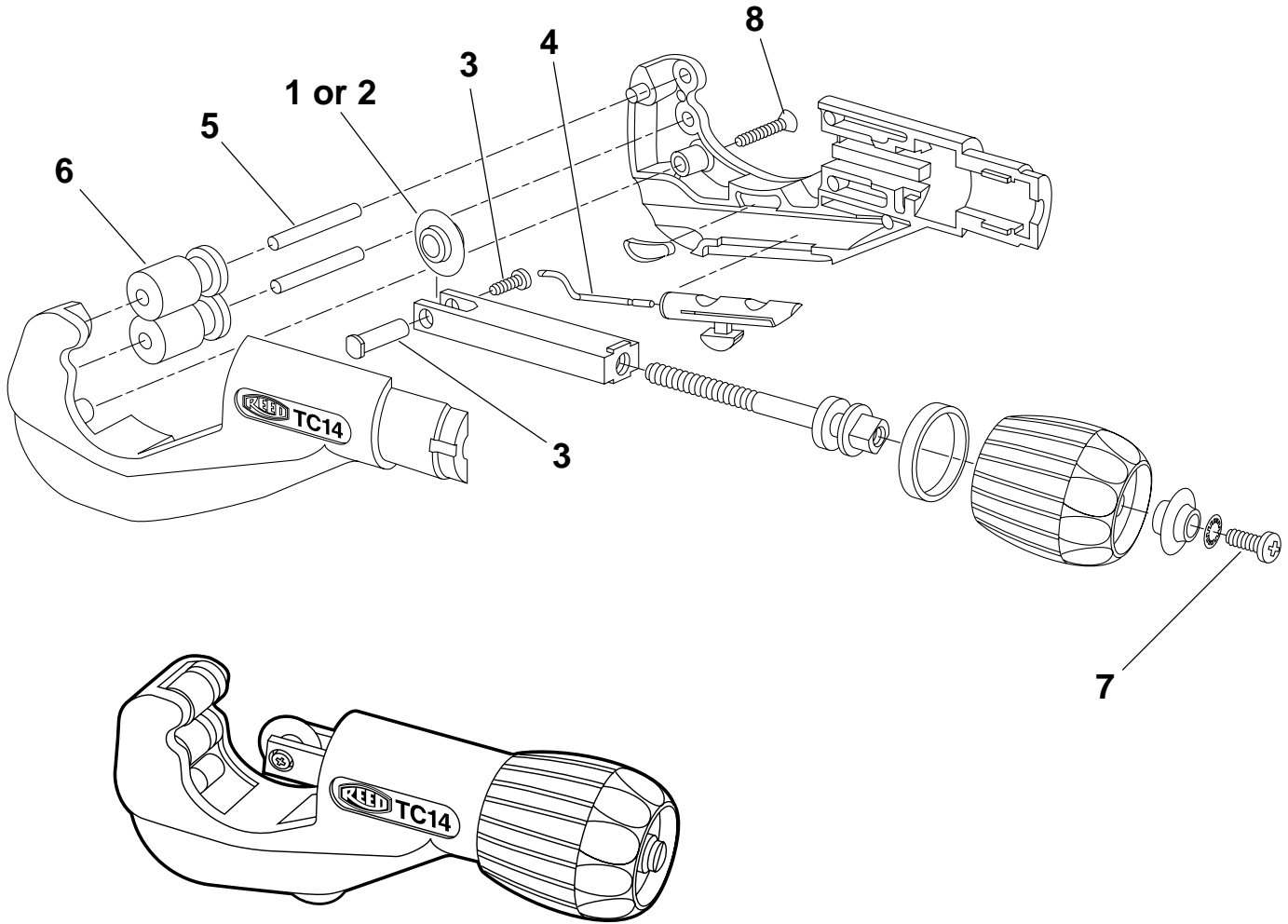




PIPE TOOLS & VISES
SINCE 1896

TC14 Tubing Cutters

Replacement Parts



TC14 #03475

Parts List

Ref. No.	Description	Item Code	Qty. Used
1	Wheel for Copper	03690	1
2	Wheel for Stainless Steel	03691	1
3	Pin & Screw	03692	1
4	Debur	03473	1
5	Roller Pin	03474	1
6	Roller	03472	1
7	Knob Screw	03693	1
8	Body Screw	03471	1

Reed Manufacturing Company
1425 West 8th St.
Erie, PA 16502 USA



Phone: 800-666-3691 or 814-452-3691
Fax: 800-456-1697 or 814-455-1697

RP-1101-15